

ATEX Telephone Model: **JREX-101**

Optional Versions: Analogue and VoIP SIP



- Non-Corrosive Die Cast Aluminium Body / Steel Face Plate
- Large Rubber Call Buttons Suitable for Use with Gloves
- Full Keypad inclusive of R, M, LR
- Robust and Vandal Resistant Throughout
- Weather Protection Rated IP66
- Shock Proof IK10
- Powered PoE (or 12V DC mains supply) or Analogue Line
- Inductive Coupler Fitted as Standard for Hard of Hearing
- Simple Installation with Tamper Proof Bars & Fixings
- Non-Volatile Memory
- Programming: DTMF (analogue) Web Interface (SIP)
- Internal Relays Available On-Demand
- ATEX, IP66, IK10, RoSH, CE & FCC Compliant.



A professional IP66 weatherproof, explosion proof telephone that provides a full duplex operation in hostile environments where reliability, efficiency and safety are of prime importance. Designed for use where large temperature differences, high humidity, exposure to sea water and dust, corrosive atmosphere, explosive gases & particles are common.

Fully contained within a corrosion resistant aluminium alloy die casting housing with a pivoted door, providing complete protection against dust and moisture ingress, this is a highly reliable product with a long MTBF (50,000 hours). The unique robust handset is manufactured from bulk moulding compound and designed specifically to withstand arduous use in all environments, armoured cord to provide additional resistance to vandalism or heavy industrial use. Very easy to install. The cable entrance through NPT conduit entries, type 3.

Versions:

Analogue powered by standard analogue line, connects two core telephone cable. Config. by DTMF.

VoIP SIP powered by PoE – RJ45 connection to IP PBX and configured by web interface,

Casing Material

Die-cast aluminium body with industrial epoxy powder coated finish

Colour

Red, other RAL colours on demand

Handset Material

Cycloy / stainless-steel spiral cord

Keypad

Rubber

Ringling Tone

Shrill warble tone 85 dB @1 metre typical

Hook Switch

Electric / magnetic no visible moving parts

IP Resistance

IP66 (IP67 on-demand)

Temperature

Operating: -40°C to +75°C

Storing: -45°C to +80°C

M.T.B.F

In excess of 50,000 hours in use



Optional Extras

- Horn & call beacon
- Key lockable latch
- Custom embossed logo on door
- Relay



ATEX Telephone Model: JREX-101

STANDARD ANALOGUE SPECIFICATION

An analogue telephone that provides standard telephone functions and can be connected to any standard two-wire telephone line, including analogue PABX lines and PSTN.

Dialling MF (tone)

Ring Tone Shrill warble tone 80 dBA @ 1 metre typical

Power Supply Drawn from telephone line

Lightning / Transients Protection to ITU-T k.21 enhanced levels

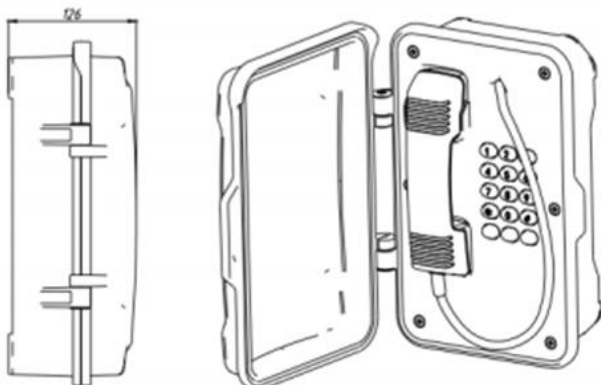
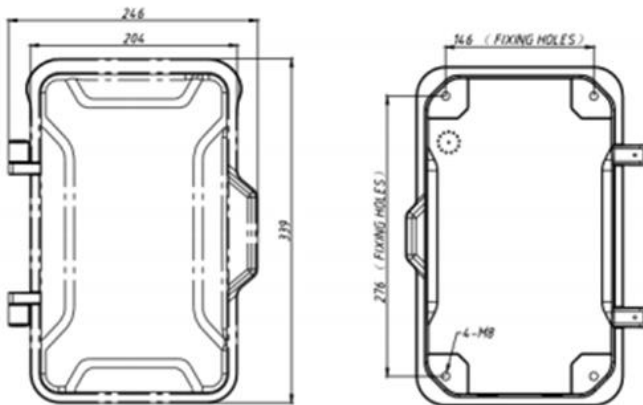
Programming Can be programmed remotely by DTMF tone or by using the keypad

ANALOGUE EXPLOSION PROTECTION



- II 2G Ex e ib mb IIC T6 Gb
- II 2D Ex ib [ib] tb IIIC T80 Db

Suited to oil refining, power stations, military, chemical plants, the armed services and industries which require certified telephones due to adverse operating conditions.



VoIP SIP Version

Adapter Input 100-240VAC 50~60Hz

Output:5V/1A

Port

WAN: 10/100Base- T RJ-45 for LAN, Auto MDIX

LAN: 10/100Base- T RJ-45 for PC, Auto MDIX

Power Consumption

Idle:1.5W/ Active:1.8W

Communication Type

Full Duplex

Voice Features

- Support SIP 2.0 (RFC3261)
- Codec: G.711A/u, G.7231 high/low, G.729, G.722, G.726
- Echo cancellation: Support G.168 and hand-free can support 96ms
- Supports full duplex
- SIP support 2 servers, user can through each server to calling in and out
- SIP support SIP domain, SIP authentication (none, basic, MD5), DNS name of server, peer to peer
- SIP support 2 servers, user can through each server to calling in and out

Network Features

- WAN/LAN: support Bridge mode
- Support PPPoE for xDSL
- Support VLAN
- Support Stun penetration
- Support DHCP get IP on WAN port

VoIP SIP EXPLOSION PROTECTION

- II 2G Ex e ib mb IIC T6 Gb
- II 2D Ex ib [ib] tb IIIC T80 Db



Ambient Conditions

Protection Type IP66, Conforms to EN60529

Operating Temperature -40°C to +75°C

Storage Temperature -45°C to +80°C

Unit size 246*339*126mm

Packaging Size 300*440*200mm

Packaging Pearl Cotton, Carton

Gross weight 8 KG



CE - This mark indicates compliance with the: Radio and Telecommunications Terminal Equipment Directive 2004/108/EC
FC - This mark indicates compliance with the: FCC Part 15 Subpart B Class B

24 Months Manufacturer Defect Warranty.

